

# STANDARD FRL SERVICE UNIT 3-PART C510FRL / C511FRL / C512FRL

<b>Description</b>	Service unit, consisting of regulator, filter and oiler with pressure gauge, in small design with high flow rate.		
<b>Media</b>	compressed air or non-corrosive gases		
<b>Supply pressure</b>	max. 17 bar		
<b>Adjustment</b>	with lockable adjustment knob for C510FRL, with T-handle for C511FRL, with adjustment screw for C512FRL		
<b>Relieving function</b>	relieving, optionally non-relieving		
<b>Gauge port</b>	G $\frac{1}{8}$ on both sides of the body		
<b>Filter element</b>	40 $\mu$ m, optionally 5 $\mu$ m, made of sintered bronze		
<b>Bowl</b>	metal bowl with sight glass		
<b>Drainage</b>	manual drain as standard, optionally automatic drain, max. 10 bar		
<b>Temperature range</b>	0 °C to 80 °C		
<b>Material</b>	Body: alu die-cast	Bowl: alu die-cast	Elastomer: NBR
	Spring cage: glass fibre-reinforced plastic		
	Inner valve: brass, plastic		



G $\frac{1}{4}$  up to G $\frac{1}{2}$

Dimensions			Combination consisting of	Flow rate		P <sub>1</sub> max. bar	Connection thread G	Pressure range bar	Order number	A*
A	B	C		m <sup>3</sup> /h*1	l/min*1					

FRL unit, 3-part				manual drain, relieving, max 17 bar with pressure gauge, Filter element 40 $\mu$ m				C510FRL			
240	235	149	F510+R510+L510	126	2100	17	G $\frac{1}{4}$	0.2 ... 2	C510FRL-02WJA		
								0.4 ... 4	C510FRL-02WJB		
								1.0 ... 10	C510FRL-02WJC		
			F510+R512+L510					1.7 ... 17	C512FRL-02WJD		
240	235	149	F510+R510+L510	132	2200	17	G $\frac{3}{8}$	0.2 ... 2	C510FRL-03WJA		
								0.4 ... 4	C510FRL-03WJB		
								1.0 ... 10	C510FRL-03WJC		
			F510+R512+L510					1.7 ... 17	C512FRL-03WJD		
240	235	149	F510+R510+L510	138	2300	17	G $\frac{1}{2}$	0.2 ... 2	C510FRL-04WJA		
								0.4 ... 4	C510FRL-04WJB		
								1.0 ... 10	C510FRL-04WJC		
			F510+R512+L510					1.7 ... 17	C512FRL-04WJD		



C510FRL



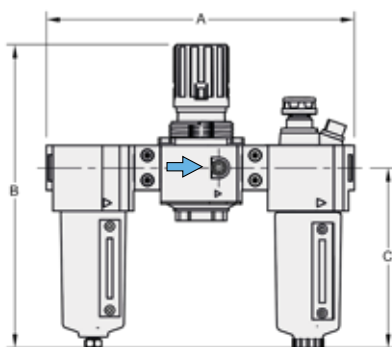
C511FRL

## Special options, add the appropriate letter

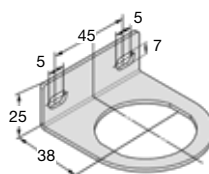
<b>T-handle</b>	including locknut	up to 10 bar B + 20 mm	C511FRL -0 . W . .
<b>adjusting screw</b>	including locknut	up to 10 bar B + 20 mm	C512FRL -0 . W . .
<b>5 <math>\mu</math>m filter element</b>			C51 . FRL -0 . WG .
<b>non relieving</b>	without relieving function		C51 . FRL -0 . W . . K
<b>automatic drain</b>	SA-500, max. 10 bar		C51 . FRL -0 . W . . R

## Accessories, enclosed

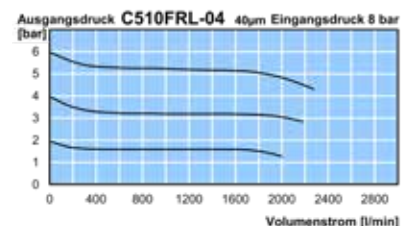
<b>pressure gauge</b>	50 mm, 0... <sup>2</sup> bar, G $\frac{1}{8}$	MA5001-. . <sup>2</sup>
<b>mounting bracket</b>	made of steel	for G $\frac{3}{4}$ to G1 $\frac{1}{2}$
<b>mounting nut</b>	made of plastic	M48x1,5K



C510FRL



BW48-00



\*1 at 8 bar supply pressure, 6 bar outlet pressure and 1 bar pressure drop  
 \*2 02 = 0...2,5 bar, 04 = 0...4 bar, 06 = 0...6 bar, 10 = 0...10 bar, 16 = 0...16 bar, 25 = 0...25 bar

\* Product group

Further details: see chapter for single devices  
 Gauges: see chapter for measuring devices

PDF CAD  
 www.aircom.net



Order example:  
 C510FRL-02WJA